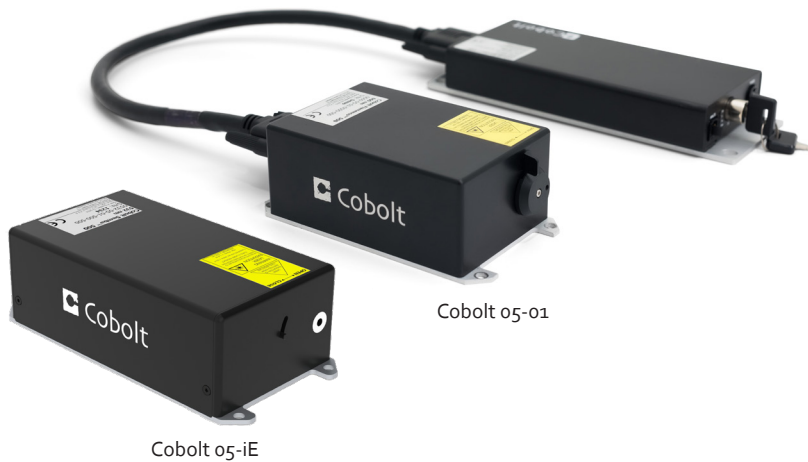


# Cobolt 05-01 Series

High Power | Single Frequency | CW Diode pumped lasers



## Applications

- Raman Spectroscopy
- Interferometry
- Holography
- Optical Tweezers
- Super-resolution Microscopy

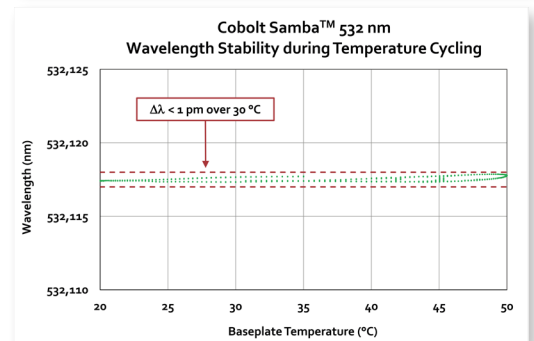
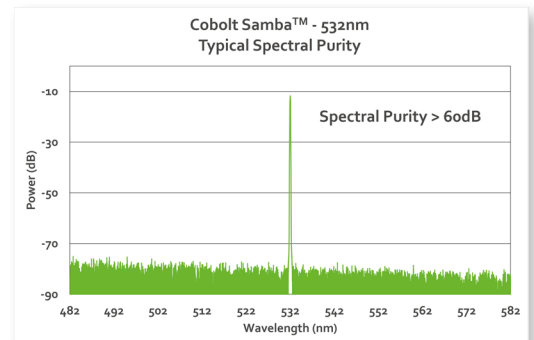
- CW output power up to 3 W in a perfect beam
- Extremely high level of spectral stability
- Stable single frequency operation over wide temperature range
- Ultra-low intensity noise, down to  $< 0.1\%$
- 320 nm, 355 nm, 457 nm, 473 nm, 491 nm, 515 nm, 532 nm, 561 nm, 640 nm, 660 nm and 1064 nm
- Fully Integrated electronics option available
- Up to 24 months warranty, unlimited hours

The Cobolt 05-01 Series lasers are continuous-wave diode pumped laser (DPL) devices operating at a fixed wavelength between 320 nm and 1064 nm. The lasers are built using proprietary HTCure™ manufacturing technology for ultra-robustness in a compact hermetically sealed package.

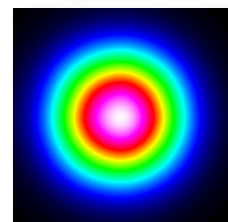
The Cobolt 05-iE is a fully integrated laser device, including all control electronics. The Cobolt 05-iE eliminates the need for an external controller, bringing the trusted laser performance of Cobolt 05-01 Series into a compact, self-contained device.

The lasers emit a very high-quality laser beam with stable characteristics over a wide range of operating conditions. Single frequency operation provides a narrow spectral bandwidth and long coherence length. The lasers are designed and manufactured to ensure a high level of reliability.

The Cobolt 05-01 Series lasers are intended for stand-alone use in laboratory environments or for integration as OEM components in instruments for applications including fluorescence microscopy, flow cytometry, DNA sequencing, HCA, Raman spectroscopy, interferometry, holography and particle analysis.



Typical Beam Profile



Cobolt 05-01 Zouk™  
 $M^2 < 1.1$

# Cobolt 05-01 Series

## Performance Specifications

	Zydeco™*	Zouk™*	Twist™	Blues™	Calypso™*	Fandango™	Samba™
Wavelength in air (nm)	319.8 ± 0.3	354.8 ± 0.3	457.0 ± 0.3	473.0 ± 0.3	491.5 ± 0.3	514.8 ± 0.3	532.1 ± 0.3
Available Power Levels (mW)	20	10 20	100 200 300	100 200 300	200	300	500 1000 1500
Power stability (±2°C and 8hrs)	< 2%						
Noise, 20 Hz - 20 MHz (pk-pk)	< 5 %	< 2 %			< 5 %	< 2 %	< 1 %
Noise, 20 Hz - 20 MHz (rms)	< 0.5 %	< 0.2 %			< 0.5 %	< 0.2 %	< 0.1 %
Beam diameter at aperture (µm)	700 ± 50						
Beam symmetry at aperture	> 0.90:1						> 0.95:1
Beam divergence (full angle, mrad)	< 0.8			< 1.2			
Spatial mode (TEM <sub>00</sub> )	M <sup>2</sup> < 1.2	M <sup>2</sup> < 1.1					
Spectral linewidth (FWHM)	< 1 MHz						
Wavelength stability (±2°C and 8hrs)	< 1 pm						
Polarization ratio (linear, vertical)	> 100:1						
Warranty (unlimited hours)	12 mo. 3000 hrs	12 months			24 months	12 months	24 months

	Jive™	Bolero™	Flamenco™	Rumba™
Wavelength in air (nm)	561.2 ± 0.3	639.6 ± 0.6	659.6 ± 0.3	1064.2 ± 0.6
Available Power Levels (mW)	200 300 500 750 1000**	300 500	100 300 500	500 1000 2000 3000
Power stability (±2°C and 8hrs)	< 2%			
Noise, 20 Hz - 20 MHz (pk-pk)	< 1%	< 7%	< 1%	
Noise, 20 Hz - 20 MHz (rms)	< 0.1%	< 1%	< 0.1%	
Beam diameter at aperture (µm)	700 ± 50			1000 ± 50
Beam symmetry at aperture	> 0.95:1			
Beam divergence (full angle, mrad)	< 1.2	< 1.4	< 1.5	< 1.6
Spatial mode (TEM <sub>00</sub> )	M <sup>2</sup> < 1.1			M <sup>2</sup> < 1.2
Spectral linewidth (FWHM)	< 1 MHz			
Wavelength stability (±2°C and 8hrs)	< 1 pm			
Polarization ratio (linear, vertical)	> 100:1			
Warranty (unlimited hours)	24 months**	12 months	24 months	

\* Cobolt Zydeco™ 320 nm, Zouk™ 355 nm and Calypso™ 491 nm laser is not yet available in the 05-iE package.  
 \*\* Cobolt Jive™ 1000 mW warranty is limited to 12 months.



Heat sink with fans for fiber coupling FIC-04



This device contains components that may be sensitive to Electrostatic Discharge (ESD).

ESD protection can be achieved with proper electrical grounding.



**WARNING VISIBLE AND INVISIBLE LASER RADIATION!**

Avoid exposure to beam.  
 Class 3B Laser Product  
 Classified per IEC 60825-1:2014



Wvl (nm)	Max.Pwr (mW)
320	100
355	60
457	499
473	499
491	499
515	499
561	499
660	499



Avoid eye or skin exposure to direct or scattered radiation.  
 Class 4 Laser Product  
 Classified per IEC 60825-1:2014



Wvl (nm)	Max.Pwr (mW)
532	3500
561	3000
640	1500
660	1000
1064	4000

## Model Number

WWWW-05-01-PPPP-CCCC

Wavelength ↑      ↑ Power      ↑ Configuration:

500 = Gen 5b Controller, RS-232, CE / CDRH  
 600 = Gen 5b Controller, RS-232, OEM  
 700 = Gen 5b Controller, USB, CE / CDRH  
 800 = Gen 5b Controller, USB, OEM  
 1100 = Integrated electronics, CE / CDRH  
 1200 = Integrated electronics, OEM  
 XXXX = OEM customization

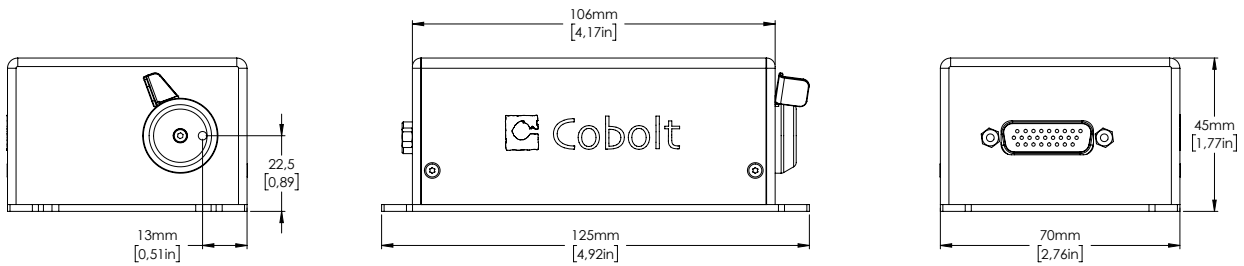
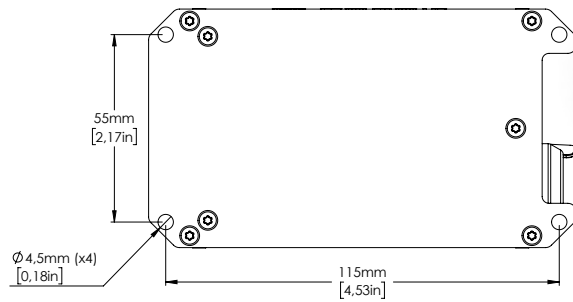
## Communication Interface

Communication	USB or RS-232
Standard Baudrate	115200

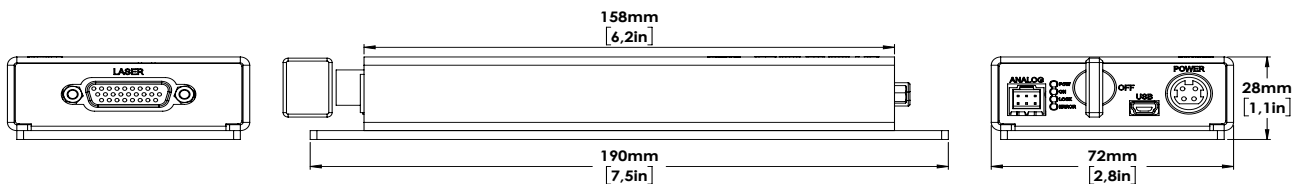
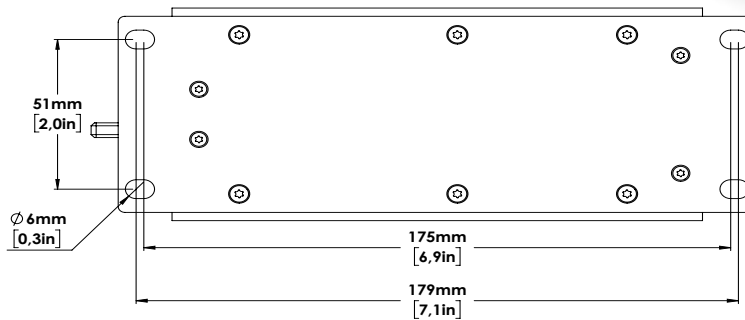
# Cobolt 05-01 Series

## Mechanical Specifications

### Cobolt 05-01 Laser head



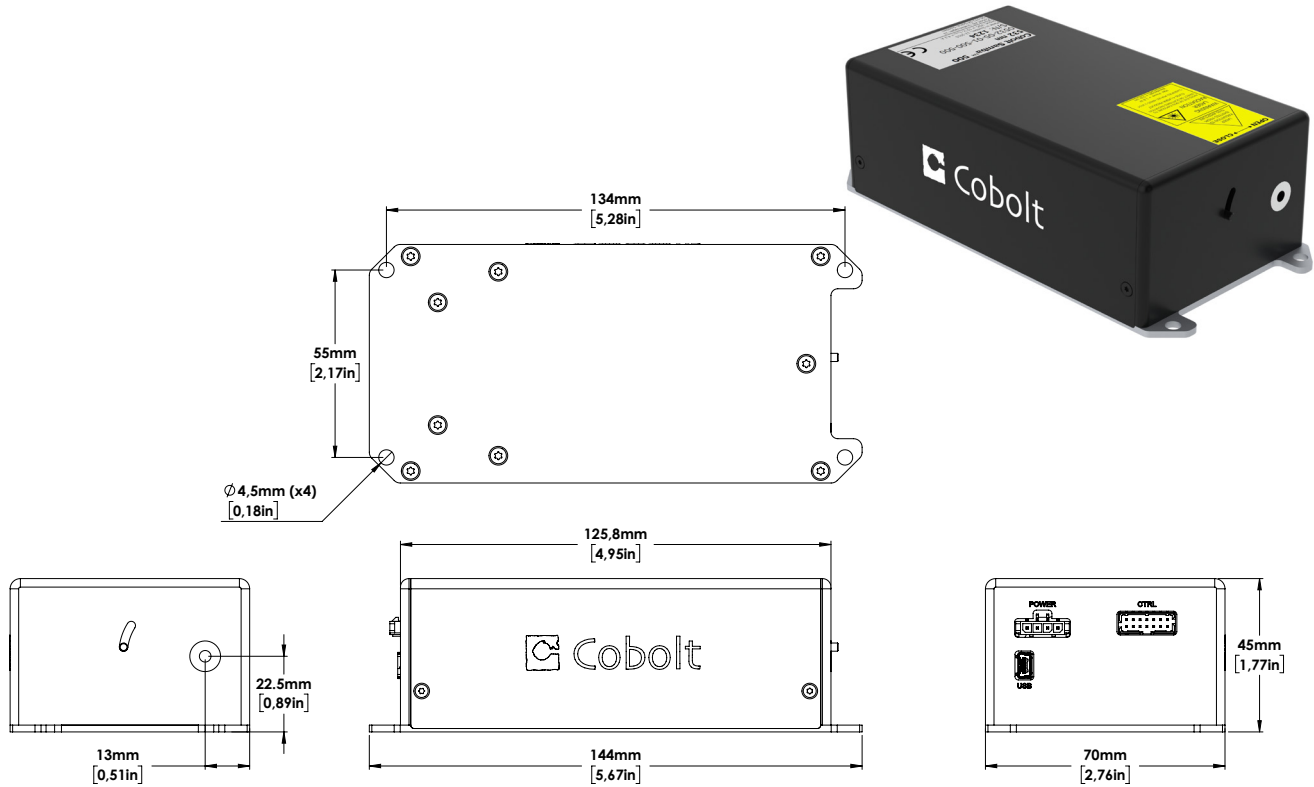
### Cobolt 05-01 - Controller



# Cobolt 05-01 Series

## Mechanical Specifications

### Cobolt 05-iE Laser head



### Cobolt 05-iE - Key control box

